



4G1215X-XXC-X ANTENNA FAMILY

Mini ARINC GPS L1/L2 Antenna with Centered Connector

The 4G1215X-XXC-X product family is tuned for Global Positioning System (GPS) signal reception in the L1 and L2 frequency bands. This antenna has a Mini ARINC mounting footprint for easy integration onto new and existing platforms. The connector is centered on the baseplate bottom for installations desiring minimal mounting hole sizes on the platform.

The product family is available in passive and active (amplified) configurations. The active configurations include two-stage ceramic and surface acoustic wave (SAW) filtering for sharp band edges and linearity within the GPS bands. The upper and lower frequency bands are separately amplified and filtered to ensure operation in high ambient interference environments. The passive configurations are best suited to applications where the antenna is positioned close to the GPS receiver.

Antcom can customize this product family to meet your specific requirements. Please contact us for more information about customization options.

BENEFITS

- Rugged antenna for military-grade GPS L1/L2 reception
- Mini ARINC form factor for small size & low weight
- Easy installation on new and existing platforms with centered connector design

FEATURES

- GPS L1/L2 with M-Code support
- Mini ARINC product footprint
- Connector centered on baseplate
- Passive or active (amplified) configurations available
- Active configurations offer 2-stage integrated bandpass filtering with diode limiters
- Connector options available
- Paint color options available



OPTIONS

COLOR	<ul style="list-style-type: none">• Gloss White• Lusterless Gray• Camo Green• Lusterless Black• Desert Tan
CONNECTOR	<ul style="list-style-type: none">• SMA• TNC• Bulkhead TNC• Bulkhead N
LNA GAIN	<ul style="list-style-type: none">• With 33 dB LNA• 33dB, High Filtering• With 20 dB LNA• With 40 dB LNA• Without LNA

ELECTRICAL

Frequency Range:	
L1 GPS	1575.42 ± 12 MHz
L2 GPS	1227.60 ± 12 MHz
VSWR	<2.0:1
Impedance	50 ohms
Polarization	RHCP

MECHANICAL & ENVIRONMENTAL

Designed to:

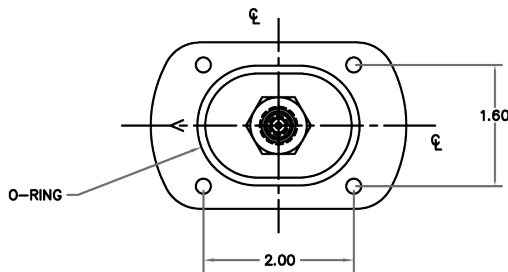
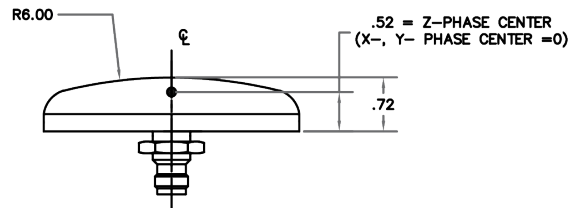
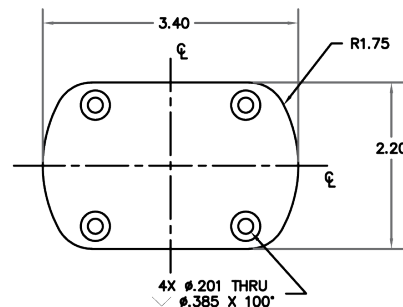
Weight	5.13 oz (Typical)
Temperature	-55°C TO +85°C
Altitude	70,000 ft
Vibration	> 30 Grms

TYPICAL LNA PERFORMANCE

LNA Gain	See Options Table
LNA Noise Figure	3.5 dB
LNA P1dB Out	+9 dBm
LNA DC Power	(3.8 - 15) V <70 mA

LIMITING & FILTERING

Power Handling	1 Watt CW
----------------	-----------



PART NUMBER DECODER

4G1215X-XXC-X

LNA Gain
 A = With 33 dB
 AF = 33dB, High Filtering
 A2 = With 20 dB
 A4 = With 40 dB
 P = Without LNA

Color (PER FED-STD-595B)
 1 = Gloss White #17925
 2 = Lusterless Gray #36320
 3 = Camo Green #34094
 4 = Lusterless Black #37038
 5 = Desert Tan #33446

Connector
 S = SMA
 T = TNC
 TB = Bulkhead TNC
 N = Bulkhead N

CONTACT ANTCOM

Phone: +1-310-782-1076
 Fax: +1-310-782-1086
 Email: sales.pi.antcom@antcom.com
 Web: antcom.com

